

# FLOS

F6602004 Silver

## Taccia

Designed by Achille and Pier Giacomo Castiglioni, 1962

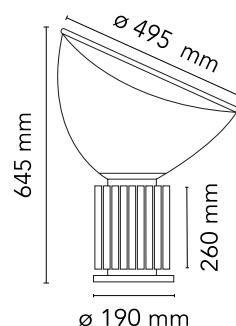
28W - 2700K



Table lamp providing indirect and reflected light. Reflector in painted aluminium, gloss white on the outside and matt white on the inside. Directionable diffuser in transparent mouth-blown glass. Body in black, matt white, silver anodized or bronze anodized aluminium. Base in nickel-plated metal. Electric cable of useful length 220 cm, with dimmer switch for ON/OFF and adjustment of the light flow between 10-100%. Plug-in power supply with interchangeable plugs.

Are you a professional and your project needs consulting and support?

[BOOK AN APPOINTMENT](#)



### Main specifications

Mounting	Table floor
Environments	Indoor dry location
Light Source Type	LED
LED type	LED array
Power (W)	28

### Physical

Colour	Silver
Length (mm)	190
Cord length (mm)	2200
Net weight (kg)	10.74
Package height (mm)	0
Package width (mm)	0
Package length (mm)	0
Package volume (m3)	0.18
IP internal	20

### Download

Mounting instructions	<a href="#">↓ PDF</a>
Mounting instructions	<a href="#">↓ PDF</a>
Spare Parts	<a href="#">↓ PDF</a>

### Photometric Files

LDT / IES	<a href="#">↓ ZIP</a>
-----------	-----------------------

### Technical Drawings

2D	<a href="#">↓ ZIP</a>
3D	<a href="#">↓ ZIP</a>



IP
20

<https://professional.flos.com/en/global/product/taccia-f6602004/>

F6602004

©2022 Flos - P.IVA 00290820174 - 12/22/2023

[professional.flos.com](https://professional.flos.com) | [info@flos.com](mailto:info@flos.com) 1/4

In our constantly evolving world and business, technical upgrades happen every day. This means all product specifications and data are subject to change without warning in order to improve reliability, function, performance or otherwise. We make every effort to ensure the accuracy of our product images, however due to different lighting and screens used for viewing, the colours may vary. Images are indicative of the quality and style of the product but may not represent the precise details of the product you receive. This is because we are constantly working to make improvements. For aesthetic reasons, cables and/or electrical elements are often not shown. Refer to technical data sheets for all technical data. Images and colours are not part of any contract or warranty in any way.

## Photometric

Lighting type	Indirect
Light distribution	Asymmetric
CCT (K)	2700

## Electrical

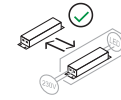
Insulation class	III
Frequency (Hz)	50/60
Main voltage (Vac)	100-240/48
LED voltage Vf (Vdc)	null
Driver	Remote included
Dimmable	Yes
Dimming type	Electronic 48V
Dimming interface	Dimmer Integrated
Plug type	Type G, Type A, Type C
Batteries inside	No

## Ecodesign and Energy Labelling

This product contains a light source of energy efficiency class **D**

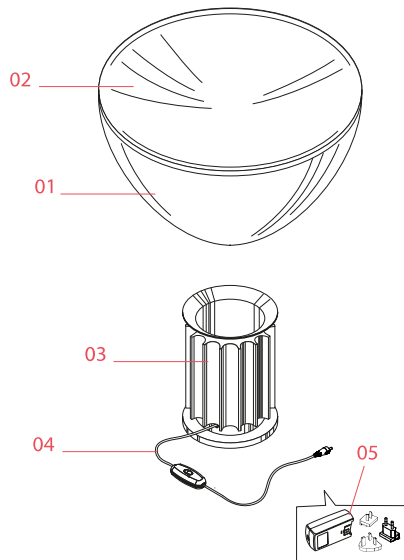


Replaceable (LED only) light source by a professional



Replaceable control gear by an end-user

## Spare Parts



- |     |   |           |
|-----|---|-----------|
| 01. | Taccia transparent diffuser & reflector | F6510000  |
| 02. | White reflector                         | RF00780   |
| 03. | Anodized silver base                    | F6608004  |
| 04. | Jack plug with cable and push dimmer    | RF6608100 |
| 05. | Black plug assembly kit & 48V driver    | RF3320400 |

**DOWNLOAD**



F6510000  
Taccia transparent diffuser &  
reflector



RF00780  
White reflector



F6608004  
Anodized silver base



RF6608100  
Jack plug with cable and push  
dimmer



RF3320400  
Black plug assembly kit & 48V  
driver